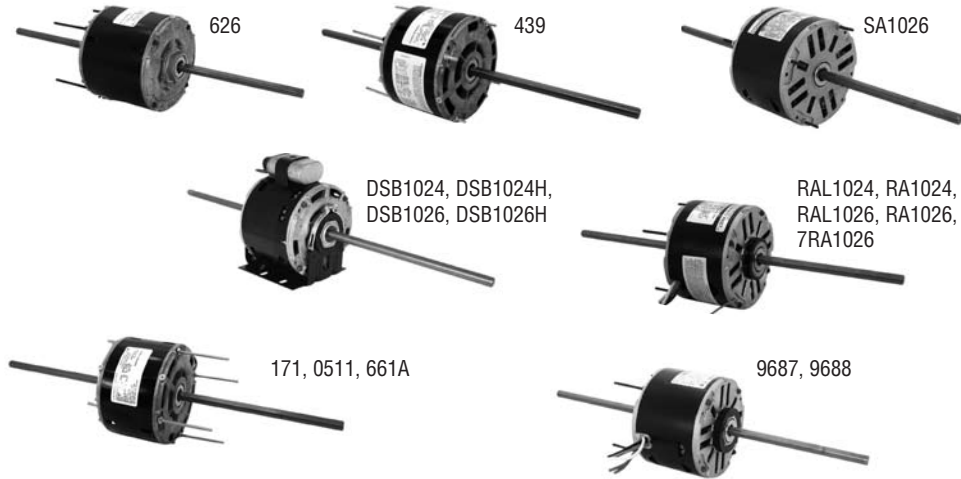


## Room Air Conditioners -

### Fan Coils - Blowers

#### Features:

- Auto Protector
- Sleeve Bearing
- CCWLE Rotation
- Continuous Air Over
- Energy Efficient \$
- Permanent Split Capacitor
- Semi-enclosed Construction
- 60 HZ
- 1/2" Dia. Flatted Shafts



#### "CONSERVATIONIST™" (CAPACITOR NOT INCLUDED)

HP	RPM**	Speeds	Volts	Amps Rated	Stock Number	Capacitor	Dim. Ref.	Notes
1/4	1075	2	115	4.4	<b>DSB1026</b>	Included	2	31,81,\$
1/4	1075	3	115	3.4	<b>RAL1026</b>	5MFD-370V	4	6,24,31,\$
1/4	1075	3	208-230	1.5	<b>RA1026</b>	5MFD-370V	5	24,29,\$
1/4	1075	3	208-230	1.5	<b>SA1026</b>	5MFD-370V	5	29,\$
1/4	1075	3	208-230	1.8	<b>439</b>	5MFD-370V	8	1,29,\$
1/4	1075	3	208-230	1.8	<b>0511</b>	5MFD-370V	9	1,29,\$
1/4	1075	2	230	1.9	<b>DSB1026H</b>	Included	2	29,81,\$
1/4	1075	3	277	1.3	<b>7RA1026</b>	5MFD-370V	6	24,31,\$
1/4	1075	3	277	1.3	<b>626</b>	5MFD-370V	10	1,29,\$
1/4	1625	2	115	2.4	<b>DSB1024</b>	Included	1	31,81,\$
1/4	1550	3	115	4.9	<b>9687</b>	4MFD-370V	13	6,24,31,\$
1/4	1625	3	115	3.0	<b>661A</b>	5MFD-370V	11	29,\$
1/4	1625	3	115	3.4	<b>RAL1024</b>	5MFD-370V	3	24,31,\$
1/4	1550	3	208-230	2.2	<b>9688</b>	4MFD-370V	13	6,24,31,\$
1/4	1625	3	208-230	1.9	<b>RA1024</b>	5MFD-370V	3	6,24,31,\$
1/4	1625	2	230	1.3	<b>DSB1024H</b>	Included	1	31,81,\$

#### Notes:

- Item to be discontinued when stock is depleted
  - 60/50 HZ
  - Mounting Accessories Packaged with Motor
  - 60°C Ambient
  - 40°C Ambient
  - Includes base
- \*\*Approximately 150 RPM difference between speeds.

Continues on next page

#### Approximate Dimensions

Ref.	BM	FC	N	N1
1	4.11	19.11	7.50	7.50
2	3.99	18.99	7.50	7.50
3	4.36	20	7.64	8
4	4.24	20	7.76	8
5	4.11	20	7.89	8
6	3.99	20	7.89	8.12
7	4.00	23	9.50	9.50
8	4.00	20	7.50	8.50
9	4.00	18	7.00	7.00
10	4.25	20	7.87	7.87
11	4.00	21	8.50	8.50
12	4.25	21.25	8.50	8.50
13	4.49	20	7.51	8

Minimum R = BM + 3/4"  
Maximum R = BM + 2"

